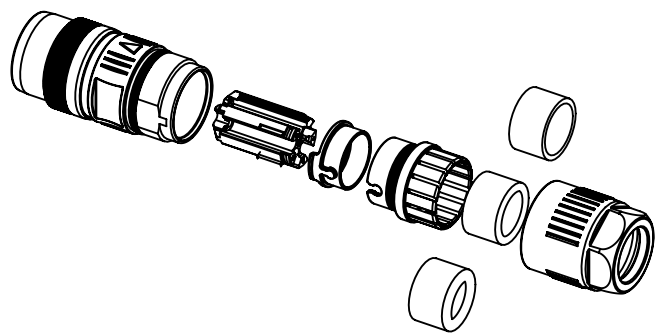


order contacts separately

cable \varnothing	wire gauge	part number
		4 x male contact
6.6 - 11.6mm	2.5mm ² / AWG14	21 01 100 9938
	1.5mm ² / AWG16	21 01 100 9937
	0.75mm ² / AWG19	21 01 100 9963
	0.5mm ² / AWG20	21 01 100 9962



All Dimensions in mm Original Size DIN A4		Scale 1:1	Free size tol.		Ref.
All rights reserved Department EL PD		Created by HASSE	Inspected by FRIESENH	Standardisation	Date 2021-10-27
HARTING D-32339 Espelkamp		Title M12-PP-CC-CRIMP-4P-LCOD-M-STR-SHLD			State Final Release
		Type TB	Number 21038961420		Doc-Key / ECM-Nr. 100766003/UGD/001/B 500000204787
				Rev. B	Page 1/1